

## Encoder Cable. EC-...B-AI



- Encoder cable for absolute linear or angular encoders with digital SSI plus 1 Vpp analog signals output or with fully digital BiSS C protocol.
- Direct connection to Bosch Rexroth CNC systems.
- Twisted pairs for differential signals.
- Dual shield on four wires.
- Available in 1, 3, 6 & 9 meter lengths with armour.
- Available with or without armour.
- Supply voltage sense link.

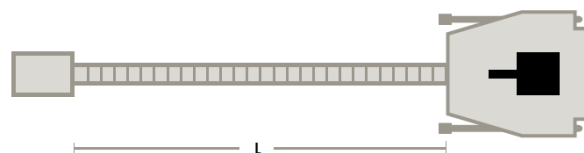
### Pin Out

Pin Input	Colour	Signal	Pin Output
	Brown + Red-Blue (Light Green)	+5 V	12
	Black	CLOCK	13
	Violet	/CLOCK	14
	White + Grey-Pink (or Orange)	0 V	4
	Blue	B	5
	Red	/B	6
	Grey	DATA	7
	Green	A	2
	Yellow	/A	3
	Pink	/DATA	8
	Internal Shield	Ground	1
	External Shield	Ground	Housing

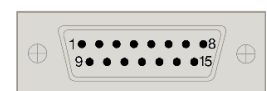
### Pin Layout

### Cable Diagram

### Pin Layout



L = 1, 3, 6, 9 meters



Front view

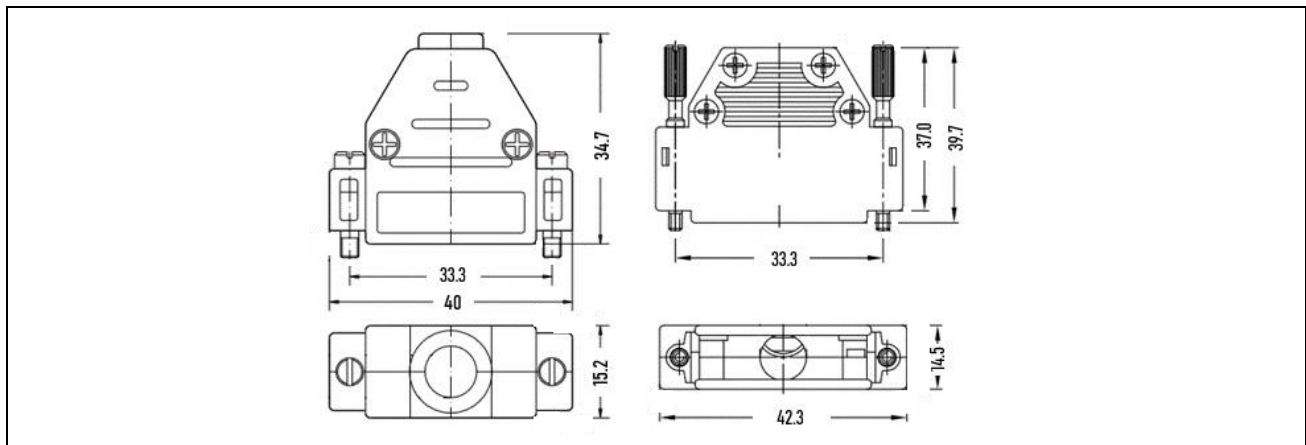
## Lead-in Connector

## Cable Specification

## Terminating Connector

<b>Construction</b>	4 x 0.09 mm <sup>2</sup> + 4 x 0.09 mm <sup>2</sup> + 4 x 0.14 mm <sup>2</sup>
<b>Material</b>	Polyurethane
<b>Ø without armour</b>	6 mm
<b>Bend radius dynamic</b>	≥ 60 mm
<b>Bend radius static</b>	≥ 24 mm
<b>Ø with armour</b>	10 mm
<b>Bend radius dynamic</b>	≥ 60 mm
<b>Bend radius static</b>	≥ 35 mm
<b>Shield</b>	Single plus dual for 4 wires
<b>Terminating connector</b>	D-Sub 15 pole male

Housing dimensions slightly differ for manufacturers



## Order Information

EC-(x)B-AI      Where (x) = 1, 3, 6 or 9 meters with armour; indicate "-N" for no armour.

## Example

Order Code	Description
EC-3B-AI	Encoder cable of 3 meters, cable type "B" specifications as above and terminating connector D-Sub 15 pole male, with armour.
EC-6B-AI-N	Encoder cable of 6 meters, cable type "B" specifications as above and terminating connector D-Sub 15 pole male, without armour.