

Encoder Cable. EC-...P-D6S



- Encoder cable for incremental linear or angular encoders with 1 Vpp or TTL differential signal output.
- Direct connection to systems with terminating connector and pin-out as below.
- Twisted pairs for differential signals.
- Available in 1, 3, 6, 9, & 12 meter lengths.
- Available only without armour.

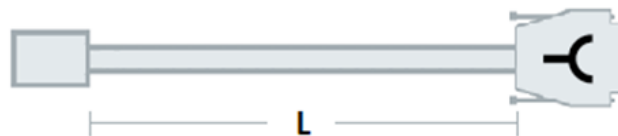
Pin Out

Pin Input	Colour	Signal	Pin Output
	Green	A	3
	Yellow	/A	4
	Blue	B	6
	Red	/B	7
	Grey	Io	10
	Pink	/Io	12
	Brown	+5 V	1
	White	0 V	2
	Shield	Ground	Housing

Pin Layout

Cable Diagram

Pin Layout



Front view

L = 1, 3, 6, 9, 12 meters, without armour

Lead-in Connector

Cable Specification

Terminating Connector

Construction 4 x 2 x 0.14 mm²

Material Polyurethane

Ø without armour 6 mm

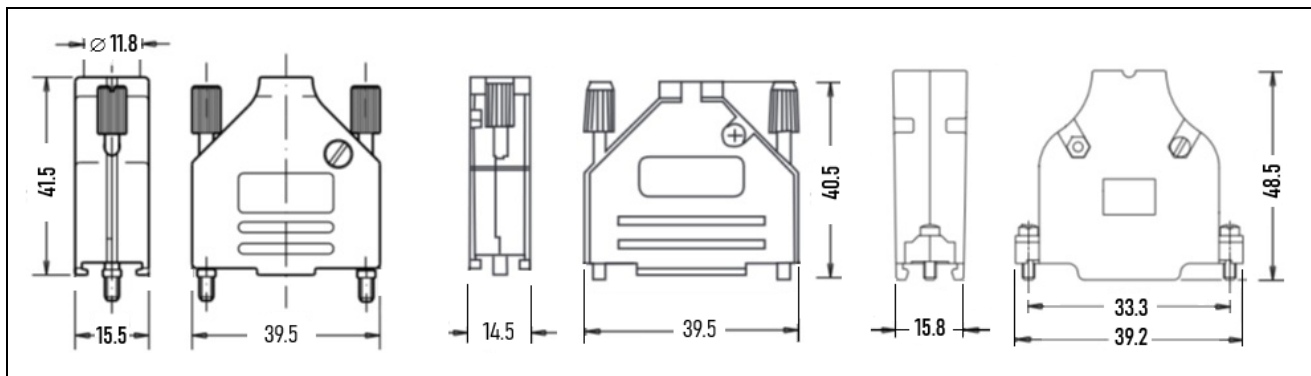
Bend radius dynamic ≥ 60 mm

Bend radius static ≥ 24 mm

Shield Single

Terminating connector D-Sub 15 pole female

Housing dimensions slightly differ for manufacturers



Order Information

EC-(x)P-D6S-N Where (x) = 1, 3, 6, 9 or 12 meter lengths, without armour.

Example

Order Code	Description
EC-3P-D6S-N	Encoder cable of 3 meters, cable type "P" specifications as above and terminating connector D-Sub 15 pole female, without armour.