

Encoder Cable. EC-...P-DE



- Encoder cable for incremental linear or angular encoders with 1 Vpp or TTL differential signal output.
- Direct connection to DELTA ELECTRONICS, INC. drives series ASDA A2R.
- Twisted pairs for differential signals.
- Available in 1, 3, 5, 6, 9, & 12 meter lengths with armour.
- Available with or without armour.

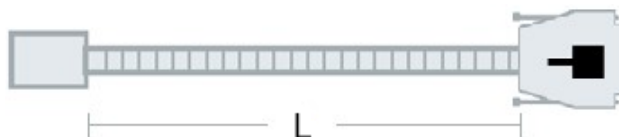
Pin Out

Pin Input	Colour	Signal	Pin Output
	Green	A	4
	Yellow	/A	5
	Blue	B	3
	Red	/B	2
	Grey	lo	9
	Pink	/lo	1
	Brown	+5 V	8
	White	0 V	6 & 7
	Shield	Ground	Housing

Pin Layout

Cable Diagram

Pin Layout



L = 1, 3, 5, 6, 9, 12 meters



Front view

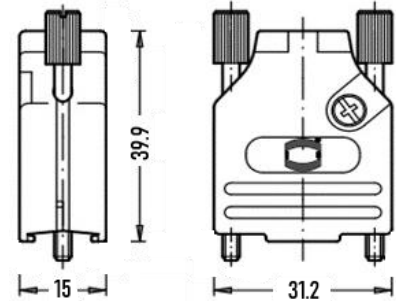


Lead-in Connector

Cable Specification

Terminating Connector

Construction	4 x 2 x 0.14 mm ²
Material	Polyurethane
Ø without armour	6 mm
Bend radius dynamic	≥ 60 mm
Bend radius static	≥ 24 mm
Ø with armour	10 mm
Bend radius dynamic	≥ 60 mm
Bend radius static	≥ 35 mm
Shield	Single
Terminating connector	D-Sub HD 15 pole male



Order Information

EC-(x)P-DE Where (x) = 1, 3, 6, 9 or 12 meter lengths, without armour.

Example

Order Code	Description
EC-3P-DE	Encoder cable of 3 meters, cable type "P" specifications as above and terminating connector D-Sub HD 15 pole male, with armour.
EC-1P-DE-N	Encoder cable of 1 meter, cable type "P" specifications as above and terminating connector D-Sub HD 15 pole male, without armour.