

## Encoder Cable. EC-...S-D



- Encoder cable for incremental linear encoders with 3 Vpp signal output and -5 V power.
- Direct connection to Fagor legacy CNC models.
- Available in 1, 3, 6, 9, 12 & 15 meter lengths armoured.
- Available only with armour.

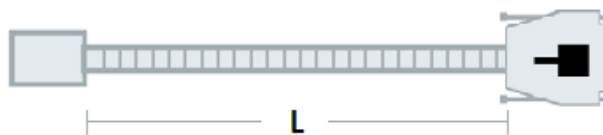
### Pin Out

Pin Input	Colour	Signal	Pin Output
	Green	A	7
	Brown	B	8
	Grey	Io	5
	Yellow	+5 V	9
	Blue	-5 V	13
	White	0 V	11
	Shield	Ground	15
	Shield	Ground	Housing

### Pin Layout

### Cable Diagram

### Pin Layout



L = 1, 3, 6, 9, 12, 15 meters armoured



Front view

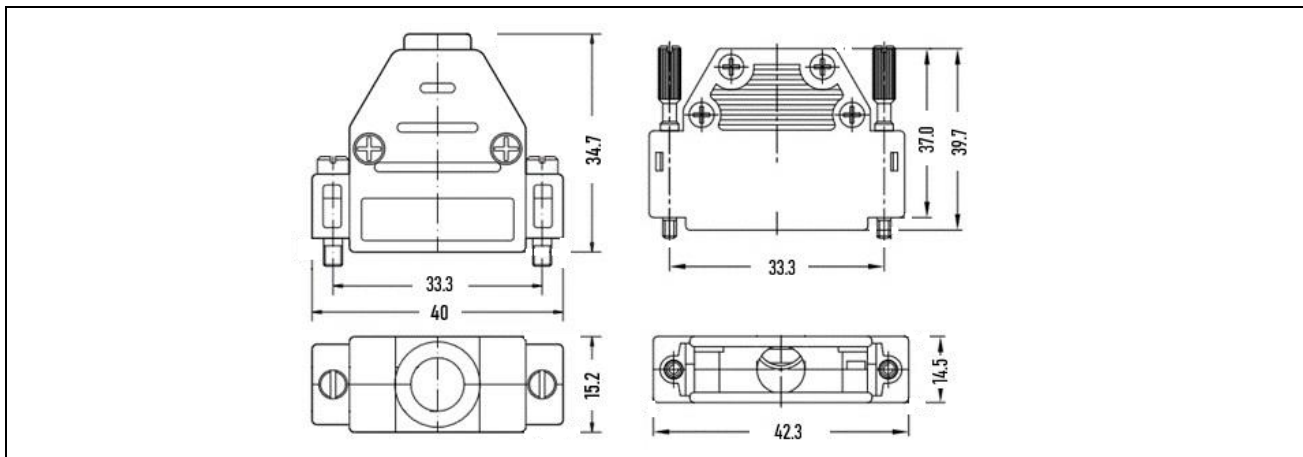
## Lead-in Connector

## Cable Specification

## Terminating Connector

<b>Construction</b>	7 x 0.14 mm <sup>2</sup>
<b>Material</b>	Polyurethane
<b>Ø with armour</b>	10 mm
<b>Bend radius dynamic</b>	≥ 60 mm
<b>Bend radius static</b>	≥ 35 mm
<b>Shield</b>	Single
<b>Terminating connector</b>	D-Sub 15 pole male

Housing dimensions slightly differ for manufacturers



## Order Information

EC-(x)S-D Where (x) = 1, 3, 6, 9, 12 or 15 meters with armour.

## Example

Order Code	Description
EC-3S-D	Encoder cable of 3 meters, cable specifications as above and terminating connector D-Sub 15 pole male, with armour.