

Extension Cable. XC-C2-...-DL

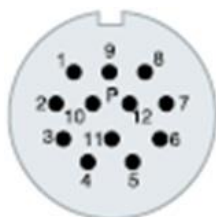


- Extension cable for incremental linear or angular encoders with 1 Vpp or TTL differential signal output.
- Extension cable XC-C2-D connects:
 - encoder cable EC-...C1.
 - incremental exposed L2...C1.
 - autoguided incremental encoder PB...C1.
 to DELEM control systems with D-Sub 9 pole female input connector.
- Twisted pairs for differential signals.
- Available in 5, 10, 15, 20 & 25 meter lengths.
- Low power attenuation and supply voltage sense link.

Pin Out

Pin Input	Colour	Signal	Pin Output
1	Pink	/B	7
2	Blue	+5 V sense	9
3	Red	lo	1
4	Black	/lo	6
5	Brown	A	3
6	Green	/A	8
8	Grey	B	2
10	White-Green	0 V	5
11	White	0 V sense	5
12	Brown-Green	+5 V	9
Housing	Shield	Ground	Housing

Pin Layout



Front view

Cable Diagram



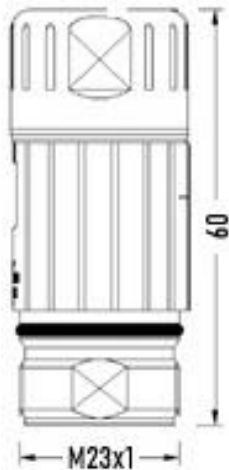
L = 5, 10, 15, 20, 25 meters

Pin Layout



Front view

Lead-in Connector

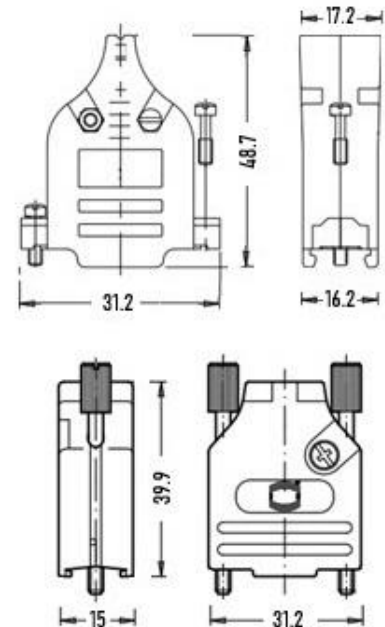


Cable Specification

Construction	4 x 2 x 0.14 mm ² + 4 x 0.5 mm ²
Material	Polyurethane
Ø	8 mm
Bend radius dynamic	≥ 80 mm
Bend radius static	≥ 50 mm
Shield	Single
Lead-in connector (encoder side)	M23 12-pin female, external male, contact arrangement direction P
Terminating connector	D-Sub 9 pole male

Terminating Connector

Housing dimensions slightly differ for manufacturers



Order Information

XC-C2-(x)-DL Where (x) = 5, 10, 15, 20 or 25 meters.

Example

Order Code	Description
XC-C2-10-DL	Extension cable of 10 meters, specifications as above, lead-in connector M23 12-pin female, external male, contact arrangement direction P. Terminating connector D-Sub 9 pole male.