

## Extension Cable. XC-D1-...T-D

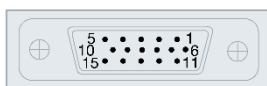


- Extension cable for incremental linear encoders with non differential TTL signal output.
- Extension cable XC-D1-T-D connects:
  - encoder cable EC-T...D.
  - incremental non differential linear encoder MKT. to Fagor DRO (NV or Innova).
- Available in 1, 2, 3, 6, 9 & 12 meter lengths.

### Pin Out

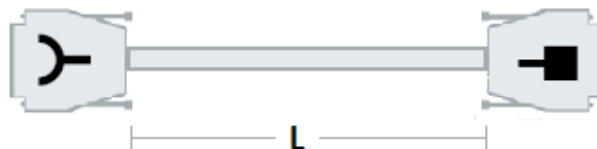
Pin Input	Colour	Signal	Pin Output
1	Green	A	1
3	Brown	B	3
5	Grey	/Io	6
9	Yellow	+5 V	9
11	White	0 V	11
15	Shield	Ground	15
Housing	Shield	Ground	Housing

### Pin Layout



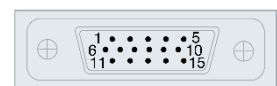
Front view

### Cable Diagram



L = 1, 2, 3, 6, 9, 12 meters

### Pin Layout

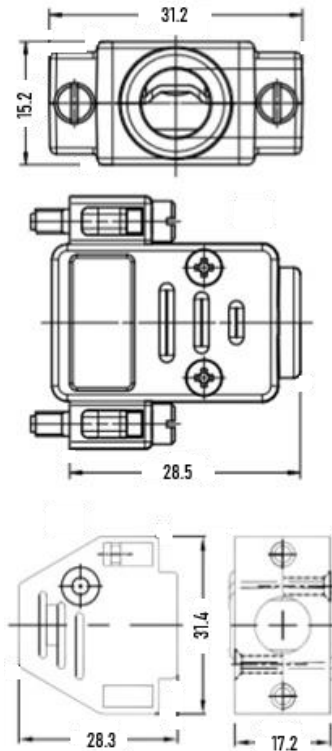


Front view

# Feedback Product Data Sheet

## Lead-in Connector

Housing dimensions slightly differ for manufacturers

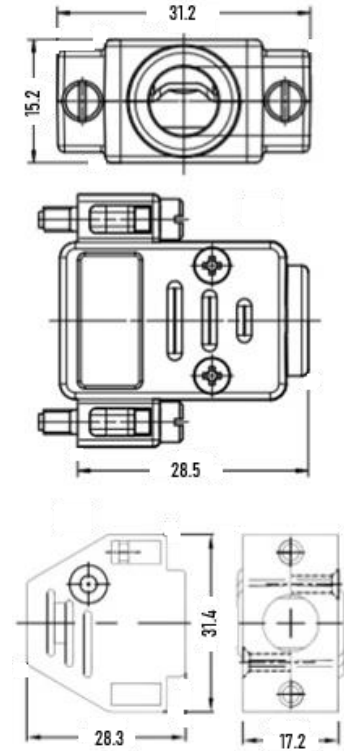


## Cable Specification

<b>Construction</b>	7 x 0.14 mm <sup>2</sup>
<b>Material</b>	Polyurethane
<b>Ø</b>	6 mm
<b>Bend radius dynamic</b>	≥ 80 mm
<b>Bend radius static</b>	≥ 50 mm
<b>Shield</b>	Single
<b>Lead-in connector (encoder side)</b>	D-Sub HD 15 pole female
<b>Terminating connector</b>	D-Sub HD 15 pole male

## Terminating Connector

Housing dimensions slightly differ for manufacturers



## Order Information

XC-D1-(x)T-D      Where (x) = 1, 2, 3, 6, 9 or 12 meters.

## Example

Order Code	Description
XC-D1-6T-D	Extension cable of 6 meters, specifications as above, lead-in connector D-Sub HD 15 pole female. Terminating connector D-Sub HD 15 pole male.